

PRE-CONSTRUCTION REQUEST FOR INFORMATION RESPONSES

Project: Covenant United Presbyterian Church

INFORMATION REQUESTED

Room 305 calls for a coiled door, the specs have the coiled door section as 083313 in the table of contents but in the manual itself there are no sections 083313.

RESPONSE

The Contractor shall remove, store and re-install the existing coiled door on the Upper Level.

INFORMATION REQUESTED

What are the flooring specs for the (2) play areas outside.

RESPONSE

The Contractor shall prepare Playground areas to be mulched by removing rocks, sticks, ext. and treating the area with a pre-emergent weed killer. Contractor is to install a cloth weed barrier lapping edges a minimum of 6" and provide rubber mulch to a minimum depth of 6"

INFORMATION REQUESTED

Missing pages from link sent out.

RESPONSE

The Architect has issued the missing drawing sheets to the Contractor as of April 27, 2015.

INFORMATION REQUESTED

Column specs at entry overhang?

RESPONSE

The Contractor shall provide cementitious material over the 8" pressure treated wood column.

INFORMATION REQUESTED

Lower level ACT – Rooms 101/102/103/104, reflected ceiling plan shows nothing. Is this an open ceiling or are we putting ACT there?

RESPONSE

The Contractor shall provide washable ACT in Rooms 101 and 102 and standard ACT in Rooms 103 and 104.

INFORMATION REQUESTED

Just to verify, interior of stairwell 107 exposed block.

RESPONSE

Correct.

INFORMATION REQUESTED

Ceiling of stairwell 107 is blank on 3rd floor reflected ceiling plan. Is this ACT.

RESPONSE

The Contractor shall provide an ACT at the Upper Level of Stairwell 107 (Room 303).

INFORMATION REQUESTED

What type of ACT to be used.

RESPONSE

The Contractor shall provide acoustical tile ceiling to match existing condition as closely as possible. Contractor to field verify.

INFORMATION REQUESTED

Clarify – section 1/A121 shows 8” CMU with ½” GWB – should be 5/8” GWB?

RESPONSE

The Contractor shall provide 5/8” GWB at the referenced location.

INFORMATION REQUESTED

Windows to receive blinds.

RESPONSE

The Contractor will provide window treatments in Rooms 105, 200, 207, 208, 213, 214, 215, 217, 218, 302, 304 & 306.

INFORMATION REQUESTED

Could you tell me which of the countertop surfaces are plastic laminate and which are to be solid surface?

RESPONSE

The Contractor will provide plastic laminate countertops in Rooms 103, 104, 201, 202, 206, 209, 210 & 305. The Contractor will provide solid surface countertops in Rooms 105, 207, 208 & 306.

INFORMATION REQUESTED

Door Schedule shows all doors being 7'-0", door elevations show 6'-8" can I safely assume we are to price 7'-0"

RESPONSE

The Contractor will provide 7'-0" door frames.

INFORMATION REQUESTED

Type 5 doors appear to be aluminum entrances by the elevation, but the schedule call out wood and say SF which would seem to Store Front?

RESPONSE

The Contractor will provide aluminum store front entry doors.

INFORMATION REQUESTED

Would you know the type of existing hardware in the church?

RESPONSE

Per the Construction Submittal from 1993, it appears that the door hardware manufacturer is Falcon though the specification indicates Schlage. The existing doors are keyed to Schlage Master System. Contractor would need to field verify.

INFORMATION REQUESTED

Regarding wall cabinets at Ministry Display 207, wall cabinets are shown at 48” high and 56” +/- wide. No manufacturer makes the corresponding cabinet doors this big, especially when they have to be modified for glass. The largest cabinet we will be able to provide for this area is 4 units at 42” wide and high. Will this be acceptable?

RESPONSE

The Contractor shall be allowed to substitute 42” wide upper cabinets for Ministry Display. Please make sure that upper cabinets correspond to lower cabinets.

INFORMATION REQUESTED

Can greater details be provided for Welcome Area 206? Specifically, will base cabinets be required at the interior of the desk? Will there be a half wall supporting the countertops? If there is a half wall, is it a GWB or plastic laminate finish?

RESPONSE

The Contractor shall provide one base cabinet for files and pencil drawer at interior of desk. A half wall will be provided to support the upper countertop with GWB finish. Additional sketches will be provided for fabrication.

INFORMATION REQUESTED

A note on the rear elevation on D-110 state “remove rear wall, refer to structural drawing for shoring and bracing”. Please advise.

RESPONSE

The Contractor shall provide adequate shoring and bracing during the removal of the existing stone wall.

INFORMATION REQUESTED

A separate note states “cross hatching indicates areas of existing exterior wall to be removed, see plans for horizontal dimensions. Removed wall to underside of second floor structure vertically”. Please clarify.

RESPONSE

The Contractor shall ignore this note. Under a previous iteration of this design, the southern wall was being removed only in selected areas.

INFORMATION REQUESTED

Section 1/S120 does not appear to have a structural detail where clouded on the attachment. Please advise.

RESPONSE

The detail will be similar to Section 4/S-120.

INFORMATION REQUESTED

Attached detail 4/S120 contains a note “existing stone wall”, however appears to point to a steel beam with a stub wall below.

RESPONSE

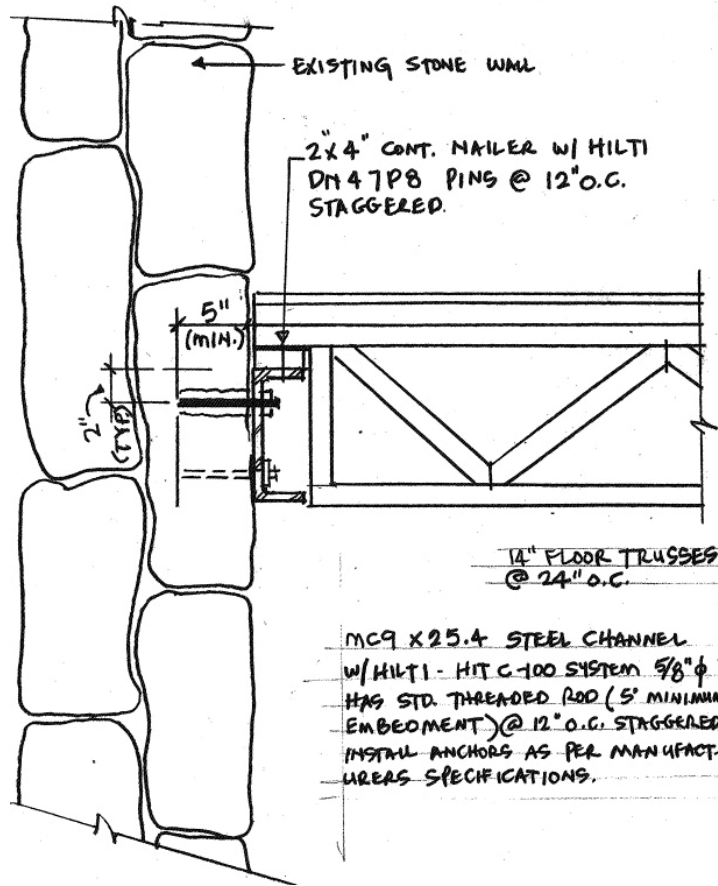
The Contractor shall ignore this note. Under a previous iteration of this design, the southern wall was being removed only in selected areas.

INFORMATION REQUESTED

The same detail does not appear to show a connection of the existing floor trusses to the wall. Please advise.

RESPONSE

Please see below for requested detail.



INFORMATION REQUESTED

Detail 3/S120 notes "concrete beam see plan and schedule". Please advise.

RESPONSE

The Contractor shall ignore this note. Under a previous iteration of this design, concrete beams were to be included. Current design calls for bond beams.

INFORMATION REQUESTED

Looking for location for vertical blinds to be installed in. We checked drawings and specifications and cannot find any detail of which windows are requiring window treatments.

RESPONSE

The Contractor will provide window treatments in Rooms 105, 200, 207, 208, 213, 214, 215, 217, 218, 302, 304 & 306.

INFORMATION REQUESTED

Please provide specs for opening 306-2.

RESPONSE

Assuming you meant 305-2, the Contractor shall remove, store and re-install the existing coiling door in opening 305-2.

INFORMATION REQUESTED

Please specify type of material for bathroom counters.

RESPONSE

The Contractor shall provide plastic laminate countertops for the bathroom counters. Color selection by Architect.

INFORMATION REQUESTED

Please provide structural shoring requirements for removing the back wall of the building.

RESPONSE

The Contractor shall provide adequate shoring and bracing for the removal of the southern wall of the existing building.

INFORMATION REQUESTED

Does the underside of the wood joists need to be sheetrocked for fire rating?

RESPONSE

No.

INFORMATION REQUESTED

It appears all interior walls run from floor deck to underside of trusses; On the ceiling plan the ceilings do not line up which is my assumption for the walls to go up. Please indicate which walls run to the underside of the grid and which walls run to underside of floor truss.

RESPONSE

All walls extend above grid, but do not necessarily need to extend to underside of floor truss, provided there is sufficient support.

INFORMATION REQUESTED

If walls run to underside of trusses; What is the detail to allow for truss movement?

RESPONSE

All walls extend above grid, but do not necessarily need to extend to underside of floor truss, provided there is sufficient support.

INFORMATION REQUESTED

What is the requirement for 3-5/8 metal? Is 25 ga sufficient, or do you require 20 ga?

RESPONSE

25 gauge is sufficient.

INFORMATION REQUESTED

Wall type "5" on page A-101 state 8" stud. Is assuming a 2" flange sufficient? On S-103 it states a 6" wall. What size wall are we to price.

RESPONSE

Please ignore the note on S-103, wall to be 8".

INFORMATION REQUESTED

We noticed that A-108 is listed but not in the new set of drawings.

RESPONSE

A-108 should have been omitted from the Drawing List – no such drawing sheet exists.

INFORMATION REQUESTED

Although the structurals weren't reissued at this time, S-130 (structural sections and details) is not listed on the new drawing index.

RESPONSE

The Architect will issue the missing structural drawing sheets to the Contractor on April 27, 2015. The drawings were not included in Bid Addendum #3 by accident. Sheet S-130 does not exist and should not have been included on previous Drawing List.

INFORMATION REQUESTED

The new drawing index lists E120 and P120, but they are not included in the new set of drawings.

RESPONSE

The Architect is unaware of E120 or P120 – no such drawing sheets are listed on the latest Drawing List

INFORMATION REQUESTED

Specification sections 0713xx, 083313 and 08700 were not with the specs issued in Addendum #3.

RESPONSE

Specification Sections 0713xx and 083313 have been omitted from the Project Specifications and should not have been included on the Table of Contents. The Architect is unaware of Section 08700 – please refer to Door Schedule.

INFORMATION REQUESTED

Is there a specification for the Coiling Door at the Kitchen?

RESPONSE

The Contractor shall remove, store and re-install the existing coiled doors.

INFORMATION REQUESTED

Drawing A102 shows a new divider wall #306-2 13'x7'. Is there a specification for this divider?

RESPONSE

The Contractor shall provide Series 2000 accordion partition as manufactured by Hufcor Inc. or equal. Covers shall have multi-ply sweep strips top and bottom for acoustical seal. Contractor to provide fabric color options for Architect's selection. Lock is to be keyed both sides and is to be master keyed to the building system.

INFORMATION REQUESTED

Anything yet on the food service equipment specifications? Did you work with a consultant on the Kitchen layout?

RESPONSE

Please see below. Clark Food Service Equipment provided the commercial kitchen layout.

CONVECTION OVEN - GARLAND US RANGE MCO-GS-10-S (ITEM 1)
 CONVECTION OVEN - GARLAND US RANGE MCO-GS-10-S (ITEM 1A)
 RANGE, 60", 6 BURNERS, 24" GRIDDLE - GARLAND US RANGE GF60-6G24RR (ITEM 3)
 RANGE, 60", 6 BURNERS, 24" GRIDDLE - GARLAND US RANGE GFE60-6G24RR (ITEM 3 ALT)
 EXHAUST SYSTEM COMPONENTS - CAPTIVE-AIRE HOOD WITH PSP AND ACCESSORIES (ITEM 4.1)
 EXHAUST SYSTEM COMPONENTS - CAPTIVE-AIRE FIRE SYSTEM PRE PIPE (ITEM 4.2)
 EXHAUST SYSTEM COMPONENTS - CAPTIVE-AIRE EXHAUST FAN (ITEM 4.3)
 EXHAUST SYSTEM COMPONENTS - CAPTIVE-AIRE INTAKE FAN (ITEM 4.4)
 EXHAUST SYSTEM COMPONENTS - CAPTIVE-AIRE CONTROL SYSTEM (ITEM 4.5)
 REACH-IN FREEZER - TRUE TS-49F (ITEM 5ALT)
 WORK TABLE - ADVANCE TABCO TSS-307 (ITEM 6)
 DISH CART - METRO PCD11A (ITEM 7)
 COFFEE BREWER - FETCO CBS-52H-20 (ITEM 8)
 COFFEE SATELLITE - FETCO D050 (ITEM 8A)
 WORK COUNTER - ADVANCE TABCO HK-SS-304M (ITEM 9)
 HOT FOOD SERVING COUNTER - EAGLE GROUP SPHT4-208 (ITEM 10)
 WORK COUNTER - ADVANCE TABCO HK-SS-307M (ITEM 11)
 MICROWAVE SHELF - ADVANCE TABCO MS-18-24 (ITEM 12)
 MICROWAVE OVEN - PANASONIC NE-1054F (ITEM 13)
 PASS-THRU SHELF - ADVANCE TABCO PA-18-144 (ITEM 14)
 HAND SINK - ADVANCE TABCO 7-PS-66 (ITEM 15)
 REACH-IN REFRIGERATOR - TRUE TS-49 (ITEM 16)
 WORK TABLE - ADVANCE TABCO VSS-3010 (ITEM 17)
 POT RACK - ADVANCE TABCO SC-48 (ITEM 18)
 WIRE SHELVING - ADVANCE TABCO EC-2448 (ITEM 19)
 SHELVING, WALL-MOUNTED - ADVANCE TABCO WS-12-48 (ITEM 20)
 RACK DOLLY - METRO D2020N (ITEM 21)
 CLEAN DISHTABLE - ADVANCE TABCO DTC-S30-60R (ITEM 22)
 DISHWASHER, DOOR TYPE, VENTLESS - HOBART AM15VL-2 (ITEM 23)
 SOILED DISHTABLE - ADVANCE TABCO DTS-K30-60L (ITEM 24)
 PRE-RINSE - T&S BRASS B-0133-B (ITEM 25)
 WIRE SHELVING - ADVANCE TABCO EC-1448 (ITEM 26)
 THREE (3) COMPARTMENT SINK - ADVANCE TABCO 94-43-72-24RL (ITEM 27)
 DROP-IN SINK - ADVANCE TABCO DI-1-10 (ITEM 28)
 REACH-IN REFRIGERATOR - TRUE TS-23 (ITEM 29)
 CART, UTILITY - LAKESIDE 411 (ITEM 30)

INFORMATION REQUESTED

Does the existing building have a sprinkler system? Will the new additions have a sprinkler system?

RESPONSE

Yes, the existing building does have a sprinkler system as will the new additions. Fire Sprinkler Design is to be on a design/build basis.

INFORMATION REQUESTED

There is a list of appliances in Section 11 of the specification (page 34). They are not shown on the plans, but do you know the quantities of each item? Are there items in both the Kitchenette 305 and Hospitality Counter in 207?

RESPONSE

The Contractor shall provide two under counter refrigeration units (not icemaker) for Room 207 and one dishwasher, one full size refrigerator, one garbage disposal and one microwave in Room 305.

INFORMATION REQUESTED

Is the overlay work, signage and striping outside the limits of disturbance part of this project.

RESPONSE

Yes.

INFORMATION REQUESTED

Is there a plan that shows the limits of what is overlay and what is full depth paving?

RESPONSE

The full depth paving would be required in areas where there is not currently asphalt or where the change in grade would require the existing asphalt to be removed.

INFORMATION REQUESTED

Is the fencing around the 2 Play Areas part of our scope? If so, is there a specification for the fence?

RESPONSE

Yes, the fencing around the 2 Play Areas is to be part of the scope. The fence is to be an aluminum three rail picket style fence with lockable gate latches 42” above finished grade.

INFORMATION REQUESTED

What is the surface of the 2 Play Areas?

RESPONSE

The Contractor shall prepare Play Areas to be mulched by removing rocks, sticks, ext. and treating the area with a pre-emergent weed killer. Contractor is to install a cloth weed barrier lapping edges a minimum of 6” and provide rubber mulch to a minimum depth of 6”.

INFORMATION REQUESTED

Civil Sheet 7 of 8 shows a detail of “Chain Link Fence @ Gravel Parking Spaces”. Where does this occur?

RESPONSE

The Contractor shall disregard note – refers to work in a later phase that is not part of the scope.

INFORMATION REQUESTED

The following specifications are listed in the Table of Contents, but are not included in the specification book dated April 15, 2015:

- 061753 – Shop Fabricated Wood Trusses
- 0713xx – Waterproofing
- 083313 – Coiling Counter Doors
- 087100 – Door Hardware

RESPONSE

The Contractor shall refer to the Structural Drawings for spec regarding Shop Fabricated Wood Trusses. The Contactor shall refer to the Architectural Drawings for spec regarding Waterproofing. The section regarding Coiling Counter Doors should have been omitted – existing doors are to be stored and reinstalled. The Contactor shall refer to the Door Hardware schedule for spec regarding Door Hardware.

INFORMATION REQUESTED

The Room Finish Schedule on A-105 calls for wood base in several rooms. The Interior Finish Carpentry spec notes that the species is white pine, but does not note a size. Likewise, the drawings do not give a size for the base. Please provide this information.

RESPONSE

The Contractor shall provide 3.25" high wood base where indicated.

INFORMATION REQUESTED

Drawing FS-100 indicates a plan and equipment schedule for the food service equipment. However, there is no specification for this work. Please provide this specification.

RESPONSE

Please see below. Clark Food Service Equipment provided the commercial kitchen layout.

CONVECTION OVEN - GARLAND US RANGE MCO-GS-10-S (ITEM 1)
 CONVECTION OVEN - GARLAND US RANGE MCO-GS-10-S (ITEM 1A)
 RANGE, 60", 6 BURNERS, 24" GRIDDLE - GARLAND US RANGE GF60-6G24RR (ITEM 3)
 RANGE, 60", 6 BURNERS, 24" GRIDDLE - GARLAND US RANGE GFE60-6G24RR (ITEM 3 ALT)
 EXHAUST SYSTEM COMPONENTS - CAPTIVE-AIRE HOOD WITH PSP AND ACCESSORIES (ITEM 4.1)
 EXHAUST SYSTEM COMPONENTS - CAPTIVE-AIRE FIRE SYSTEM PRE PIPE (ITEM 4.2)
 EXHAUST SYSTEM COMPONENTS - CAPTIVE-AIRE EXHAUST FAN (ITEM 4.3)
 EXHAUST SYSTEM COMPONENTS - CAPTIVE-AIRE INTAKE FAN (ITEM 4.4)
 EXHAUST SYSTEM COMPONENTS - CAPTIVE-AIRE CONTROL SYSTEM (ITEM 4.5)
 REACH-IN FREEZER - TRUE TS-49F (ITEM 5ALT)
 WORK TABLE - ADVANCE TABCO TSS-307 (ITEM 6)
 DISH CART - METRO PCD11A (ITEM 7)
 COFFEE BREWER - FETCO CBS-52H-20 (ITEM 8)
 COFFEE SATELLITE - FETCO D050 (ITEM 8A)
 WORK COUNTER - ADVANCE TABCO HK-SS-304M (ITEM 9)
 HOT FOOD SERVING COUNTER - EAGLE GROUP SPHT4-208 (ITEM 10)
 WORK COUNTER - ADVANCE TABCO HK-SS-307M (ITEM 11)
 MICROWAVE SHELF - ADVANCE TABCO MS-18-24 (ITEM 12)
 MICROWAVE OVEN - PANASONIC NE-1054F (ITEM 13)
 PASS-THRU SHELF - ADVANCE TABCO PA-18-144 (ITEM 14)
 HAND SINK - ADVANCE TABCO 7-PS-66 (ITEM 15)
 REACH-IN REFRIGERATOR - TRUE TS-49 (ITEM 16)
 WORK TABLE - ADVANCE TABCO VSS-3010 (ITEM 17)
 POT RACK - ADVANCE TABCO SC-48 (ITEM 18)
 WIRE SHELVING - ADVANCE TABCO EC-2448 (ITEM 19)
 SHELVING, WALL-MOUNTED - ADVANCE TABCO WS-12-48 (ITEM 20)
 RACK DOLLY - METRO D2020N (ITEM 21)
 CLEAN DISHTABLE - ADVANCE TABCO DTC-S30-60R (ITEM 22)
 DISHWASHER, DOOR TYPE, VENTLESS - HOBART AM15VL-2 (ITEM 23)
 SOILED DISHTABLE - ADVANCE TABCO DTS-K30-60L (ITEM 24)
 PRE-RINSE - T&S BRASS B-0133-B (ITEM 25)
 WIRE SHELVING - ADVANCE TABCO EC-1448 (ITEM 26)
 THREE (3) COMPARTMENT SINK - ADVANCE TABCO 94-43-72-24RL (ITEM 27)
 DROP-IN SINK - ADVANCE TABCO DI-1-10 (ITEM 28)
 REACH-IN REFRIGERATOR - TRUE TS-23 (ITEM 29)
 CART, UTILITY - LAKESIDE 411 (ITEM 30)

INFORMATION REQUESTED

Spec section 064113 – Wood Veneer Faced Architectural Cabinets notes that specifies and cut of the cabinet shall be “As selected by Architect”. Wood species can have a significant influence on the cost of cabinetry. Therefore, please provide the selected wood species so we can accurately price this cabinetry.

RESPONSE

The Contractor shall provide birch wood cabinetry.

INFORMATION REQUESTED

There are specification sections (123623 & 123661) for both plastic laminate countertops and solid surface countertops, but the drawings do not identify which type of countertop goes where. Please provide this information.

RESPONSE

The Contractor will provide plastic laminate countertops in Rooms 103, 104, 201, 202, 206, 209, 210 & 305. The Contractor will provide solid surface countertops in Rooms 105, 207, 208 & 306.

INFORMATION REQUESTED

If the demo sub comes in and does his thing, the majority of the facility becomes unusable. I obviously don't know what is important to the congregation. Would you provide some guidance to "phasing" for the project?

RESPONSE

While the project is not phased, it will be a partially Owner occupied structure throughout construction. The Main Church Office will be occupied and the site will need to be made accessible both for their daily operation as well as Sunday services. The Owner is committed to working with the Contractor to make this possible.

INFORMATION REQUESTED

Is the masonry end wall to be removed a load bearing wall for all levels?

RESPONSE

Yes, the southern stone wall is load bearing on all levels.

INFORMATION REQUESTED

Should removing the existing footing be included in removing the end wall?

RESPONSE

No, the existing footing can remain as long as it does not interfere with a level floor surface.

INFORMATION REQUESTED

Should spread footings be used for the HSS 6x3x1/4 in basement?

RESPONSE

Yes.

INFORMATION REQUESTED

Dowel new floor to existing floor will be at limit of raised floor to be removed some 12' in existing. Regarding the kitchen slab, do we know if excavation is required to place the new slab level with existing?

RESPONSE

It is the Architect's understanding that the existing raised slab was installed in order to accommodate plumbing when the existing kitchen was installed. We do not believe that excavation will be required at this location, though the slab may need to be patched and repaired.

INFORMATION REQUESTED

Is there still an alternate for asphalt shingle roofing? Need specs.

RESPONSE

Yes, the Contractor is to include Bid Alternate-A for asphalt shingle roofing. Shingle to be an architectural dimensional shingle with 25 year warranty. Owens Corning Oakridge or equal.

INFORMATION REQUESTED

Is there a spec for the room divider in Room 306?

RESPONSE

The Contractor shall provide Series 2000 accordion partition as manufactured by Hufcor Inc. or equal. Covers shall have multi-ply sweep strips top and bottom for acoustical seal. Contractor to provide fabric color options for Architect's selection. Lock is to be keyed both sides and is to be master keyed to the building system.

INFORMATION REQUESTED

Are the TV's or mounting hardware part of the scope? Spec?

RESPONSE

The Contractor shall provide a Sony 69.5" LED television with required wall mounting for Room 207 and Room 306.

INFORMATION REQUESTED

Is there a spec for the hatch with ladder?

RESPONSE

The Contractor shall provide a Fakro LWF Fire-Resistant Attic Ladder or equal.

INFORMATION REQUESTED

What is the route of the water from the Light Well floor drain?

RESPONSE

The Contractor shall provide piping for drain in Light Well to an existing storm water structure located in the northwest corner of the existing western parking lot.

INFORMATION REQUESTED

What is the route of the water to and from the sump pit?

RESPONSE

The Contractor shall provide piping from the sump pit to field drain AD1.

INFORMATION REQUESTED

It appears that the stair tower and structural steel are occupying the same space. Was it the intent to not have the stair tower as a continuous shaft? Fire rating?

RESPONSE

The Contractor shall provide fire blocking as required to maintain the fire rating of the stair tower enclosure.

INFORMATION REQUESTED

A fence contractor noticed a cedar fence detail. Is that part of the project? We couldn't find where the fence is on the site?

RESPONSE

To the best of the Architect's knowledge, there is no cedar fence included as part of this scope.

INFORMATION REQUESTED

Concrete sub asks about the sidewalk shown only on drawing SP between the rear parking areas of the church and the funeral home. Required or not?

RESPONSE

The Contractor shall provide the 5' concrete sidewalk as shown on Drawing Sheet SP.

INFORMATION REQUESTED

Is the island created at the drop off area to be grass or concrete inside the new curb?

RESPONSE

Grass.

INFORMATION REQUESTED

In the Door Schedule, there is an opening identified as 306-2, a Type 7 door. This door does not appear on the floor plans. Are we to include this opening in our proposal? If so, please provide additional information on it.

RESPONSE

The Contractor shall provide Series 2000 accordion partition as manufactured by Hufcor Inc. or equal. Covers shall have multi-ply sweep strips top and bottom for acoustical seal. Contractor to provide fabric color options for Architect's selection. Lock is to be keyed both sides and is to be master keyed to the building system.

INFORMATION REQUESTED

There are eight (8) bi-fold door sets indicated on the plan in Room 218, but these doors are not listed in the Door Schedule. Please provide information on these doors.

RESPONSE

The Contractor shall provide double bi-fold doors with louvers for the 6'-0" opening.

INFORMATION REQUESTED

There appear to be overhead coiling doors at Rooms 101 and 102. These are identified in the door schedule as 101-2 and 102-2. There is a note on A-12 call for a "Coiling Door" between Rooms 300 and 305. This door is not listed in the Door Schedule. Please provide information on this coiling door.

RESPONSE

The Contractor shall remove, store and re-install the existing coiled doors on the Lower Level and Upper Level.

INFORMATION REQUESTED

Is the exterior finish on the face of the additions expected to be an insulated E.I.F.S. system or simply a stucco system on the CMU.

RESPONSE

The Contractor shall match the finish on the existing masonry structures. To the best of the Architects' knowledge, this is an E.I.F.S. system.

INFORMATION REQUESTED

Please provide specs for opening 306-2.

RESPONSE

Assuming you meant 305-2, the Contractor shall remove, store and re-install the existing coiling door in opening 305-2.

INFORMATION REQUESTED

Please specify type of material for bathroom counters.

RESPONSE

The Contractor shall provide plastic laminate countertops for the bathroom counters. Color selection by Architect.

INFORMATION REQUESTED

Please provide structural shoring requirements for removing the back wall of the building.

RESPONSE

The Contractor shall provide adequate shoring and bracing for the removal of the southern wall of the existing building.

INFORMATION REQUESTED

Does the underside of the wood joists need to be sheetrocked for fire rating?

RESPONSE

No.

INFORMATION REQUESTED

It appears all interior walls run from floor deck to underside of trusses; On the ceiling plan the ceilings do not line up which is my assumption for the walls to go up. Please indicate which walls run to the underside of the grid and which walls run to underside of floor truss.

RESPONSE

All walls extend above grid, but do not necessarily need to extend to underside of floor truss, provided there is sufficient support.

INFORMATION REQUESTED

If walls run to underside of trusses; What is the detail to allow for truss movement?

RESPONSE

All walls extend above grid, but do not necessarily need to extend to underside of floor truss, provided there is sufficient support.

INFORMATION REQUESTED

What is the requirement for 3-5/8 metal? Is 25 ga sufficient, or do you require 20 ga?

RESPONSE

25 gauge is sufficient.

INFORMATION REQUESTED

Wall type "5" on page A-101 state 8" stud. Is assuming a 2" flange sufficient? On S-103 it states a 6" wall. What size wall are we to price.

RESPONSE

Please ignore the note on S-103, wall to be 8".

INFORMATION REQUESTED

Is there a reinforcing detail for the bond beams?

RESPONSE

Please see below.



BOND BEAM WITH (2) #5 CONT.
SINGLE BOND BEAM REINFORCED AS SHOWN
AT EACH FLOOR LEVEL AND NO LESS
THAN 10'-0" APART IN BETWEEN
INSTALL AT THE TOP OF ALL WALLS

INFORMATION REQUESTED

Was a geotechnical report ever done at the site.

RESPONSE

No.

INFORMATION REQUESTED

What # and size is the coiling door in the kitchenette?

RESPONSE

The existing coiling door shall be removed, stored and reinstalled.

INFORMATION REQUESTED

Please advise on door hardware basis of design.

RESPONSE

The door hardware is to match the building standard. Below, please find the products supplied for the 1993 Renovation.

Handelset: Falcon Lock F Series Lever
Full Mortise Hinges: Hager BB1279/1279
Door Disc: Ives 407.5
Door Closer: Dorma 7600 Series
Push Plate: Rockwood 70
Pull Plate: Rockwood 110x70

INFORMATION REQUESTED

Please advise on waterproofing basis of design.

RESPONSE

The Contractor shall provide membrane waterproofing at all subsurface exterior locations.

INFORMATION REQUESTED

What type of fire alarm is presently in the church (Simples, Siemens, Notifier, Firelite, Silent Knight, etc.)?

RESPONSE

The building is currently serviced by a Napco Magnum Fire Alert 6000 Series.

INFORMATION REQUESTED

Do you know if they have approved PVC in the township for this project already.

RESPONSE

To the best of the Architect's knowledge they have.